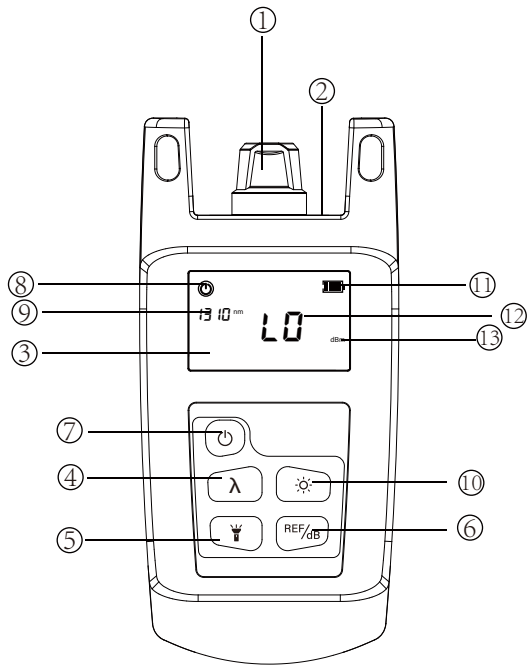
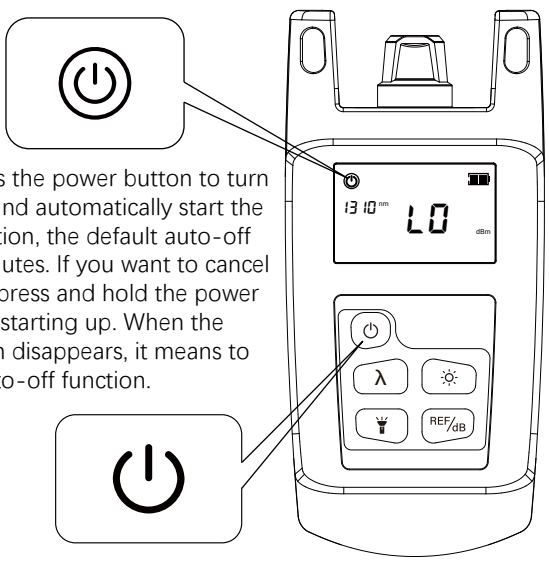


1 External and key function description



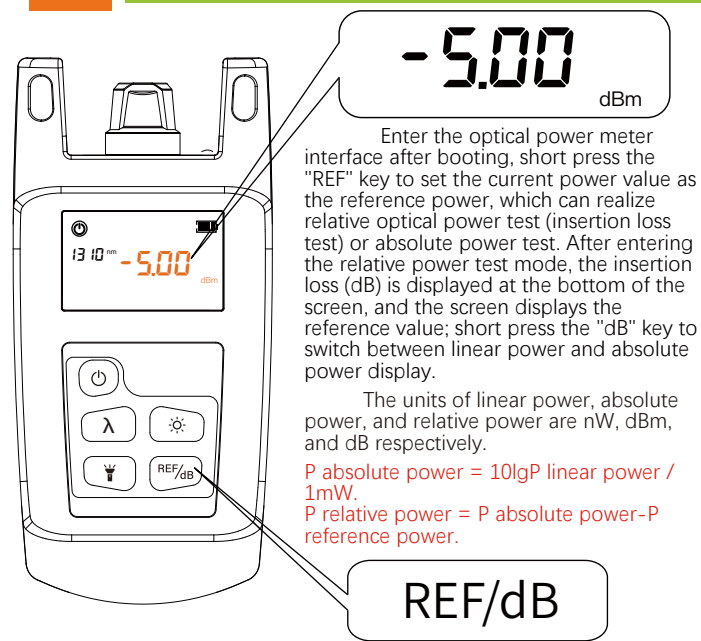
- ① OPM interface: insert the fiber to be tested, test the optical power.
- ② LED lighting: flashlight lighting
- ③ Display: display test results and other information
- ④ λ key: can switch 7 test wavelengths
- ⑤ LED button: turn on/off the flashlight, press any button to turn on the backlight
- ⑥ REF/dB key: Short press the dB to switch unit, click once nW/dBm/dB to enter the upper clear data , press and hold until REF is displayed on the screen, and set the current optical power as reference value, enter the relative optical power test mode, the screen will display the setted reference .
- ⑦ On/off key: turn the device on or off
- ⑧ Auto Off
- ⑨ wavelength
- ⑩ Backlit keys
- ⑪ Battery level
- ⑫ Numerical value
- ⑬ Unit

2 Power on/Auto power off



Short press the power button to turn on machine, and automatically start the auto-off function, the default auto-off time is 10 minutes. If you want to cancel this function, press and hold the power button .when starting up. When the power on icon disappears, it means to cancel the auto-off function.

3 Optical power reference value setting



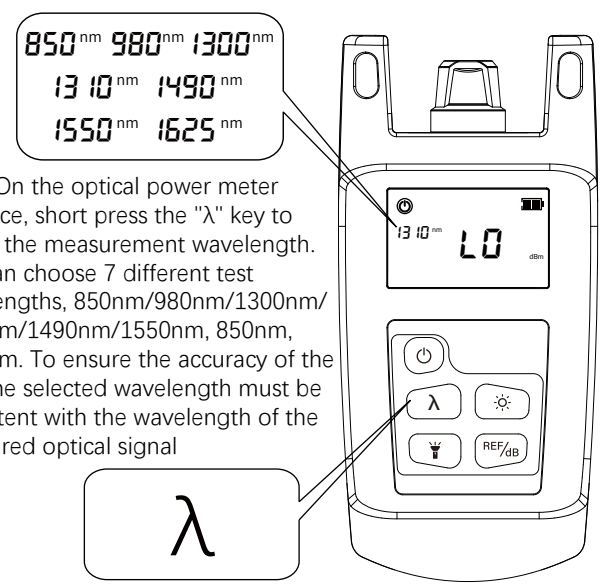
Enter the optical power meter interface after booting, short press the "REF" key to set the current power value as the reference power, which can realize relative optical power test (insertion loss test) or absolute power test. After entering the relative power test mode, the insertion loss (dB) is displayed at the bottom of the screen, and the screen displays the reference value; short press the "dB" key to switch between linear power and absolute power display.

The units of linear power, absolute power, and relative power are nW, dBm, and dB respectively.

$$P \text{ absolute power} = 10 \lg P \text{ linear power} / 1 \text{ mW.}$$

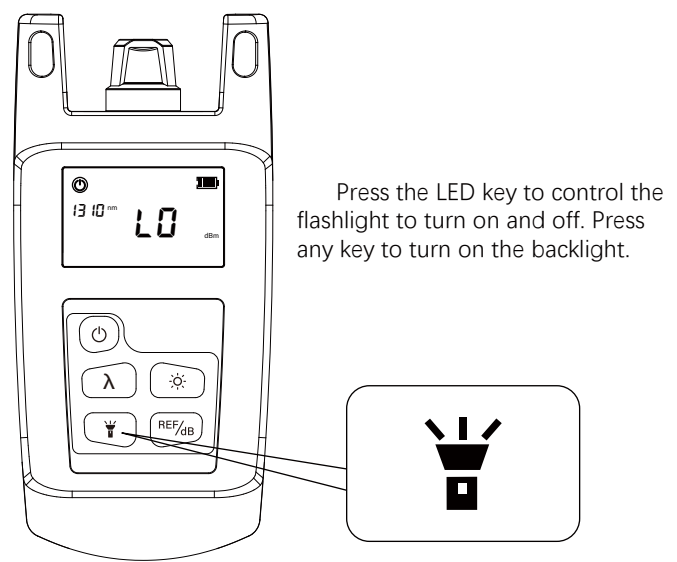
$$P \text{ relative power} = P \text{ absolute power} - P \text{ reference power.}$$

4 Optical power wavelength switching



On the optical power meter interface, short press the "λ" key to switch the measurement wavelength. You can choose 7 different test wavelengths, 850nm/980nm/1300nm/1310nm/1490nm/1550nm, 850nm, 1625nm. To ensure the accuracy of the test, the selected wavelength must be consistent with the wavelength of the measured optical signal

5 LED lighting



Press the LED key to control the flashlight to turn on and off. Press any key to turn on the backlight.

6

Calibration function description

Press the λ +REF/dB keys at the same time to enter the calibration mode. Cal is displayed at the bottom of the screen. The following operations are only valid in the calibration mode. λ key for downward adjustment, REF/dB key for upward adjustment. After adjustment, press LED to save.

Key	Function
REF/dB	Increase by 0.1dB
λ	Decrease by 0.1dB
	Save
	Shut down

7

Common fault solutions

Fault prompt	Possible Causes	Solutions
LCD display is weak	Battery low	Replace battery
Unable to boot display	Battery low or other reasons	Reboot or replace battery
Optical power value is abnormal	Connector failure/dirty	Reconnect the connector or clean the sensor

8

Product introduction

KPM-25m optical power meter is widely used in the construction, maintenance, inspection and acceptance of optical fiber communication network projects. The combination of fiber optic power meter & light source, check continuity, and help evaluate the transmission quality of optical fiber links. Smart appearance, sustainable backlit display, and friendly operation interface make you feel good about it. Provides 7 wavelengths detection, with automatic wavelength memory function. The ultra-wide optical power test range, precise test accuracy and new user self-calibration function will make your work even better. Universal interface design, support FC/SC/ST and other interfaces, without complicated conversion. In addition, the LED lighting function has been added to the product basis to allow it to be carried out in a dark environment, further improvin.

9

Product features

- 2.5mm universal connector, suitable for FC/SC/ST connectors
- ± 0.2 dB accuracy
- Wavelength range 850nm~1625nm
- Measuring range: -70~+6dBm/-50-+26dBm
- Manual calibration
- Waterproof keys suitable for various outdoor environments
- Silicone case protection design
- Equipped with LED lights to facilitate work in dark environments



SC



FC



ST



LC(Optional)

10

Product parameter

Wavelength (nm)	850/980/1300/1310/1490/1550/1625nm
Measuring range (dBm)	-70~+6dBm/-50-+26dBm
Connectors	2.5mm universal interface
Power Supply	Alkaline battery (3AA 1.5V battery)
Resolution (dB)	0.01
Working Temperature	-10~+60(°C)
Storage Temperature	-25~+70(°C)
Dimensions/Weight	130x65x35mm / 180g

Use environment

- Operating environment altitude:
Area altitude below 2000m

11

Tips

- ⚠ Please read all instructions and warnings before using this product. Irregular use will cause damage to the product or personal safety.

- 1) Do not store this product in high temperature, strong light and strong magnetic fields, and do not place it in other harsh environments such as fire sources.
- 2) Improper use of the product may easily cause the product damage or may endanger personal and property safety.
- 3) If consumers violate the product manual and improperly use it, the personal and property damage caused by it will bear by yourself, our company will not bear any legal responsibility.
- 4) Non-professionals are strictly prohibited from disassembling this product.
- 5) Avoid using electrical appliances or loads that exceed the output current of this product (the circuit will be protected and there will be no output).
- 6) Avoid strong physical effects, including knocking, throwing, trampling, squeezing, etc.

Standard configuration

- Packing carton, optical power meter , certificate of conformity, instruction manual.