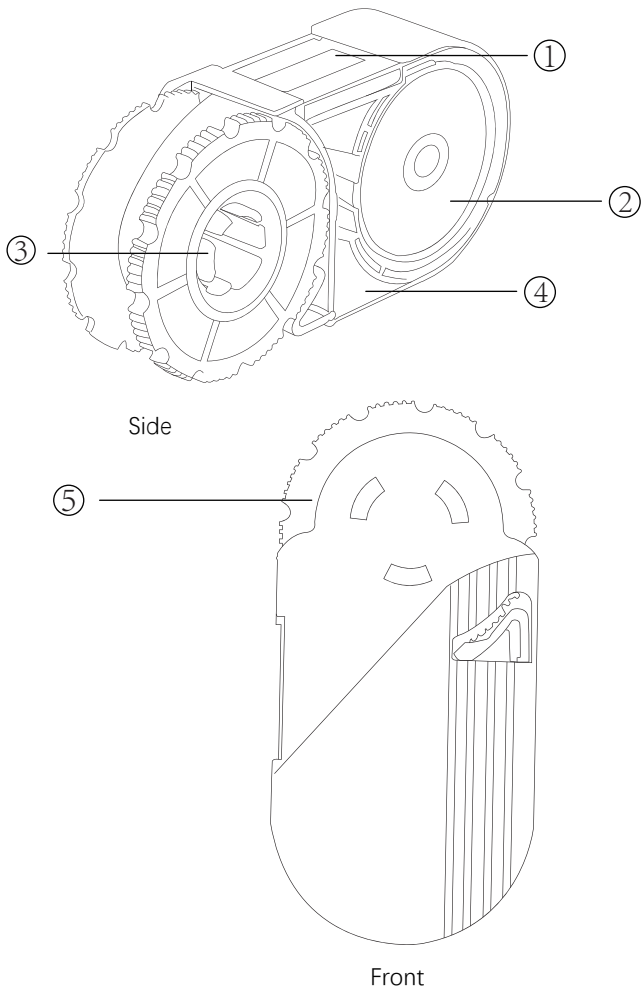


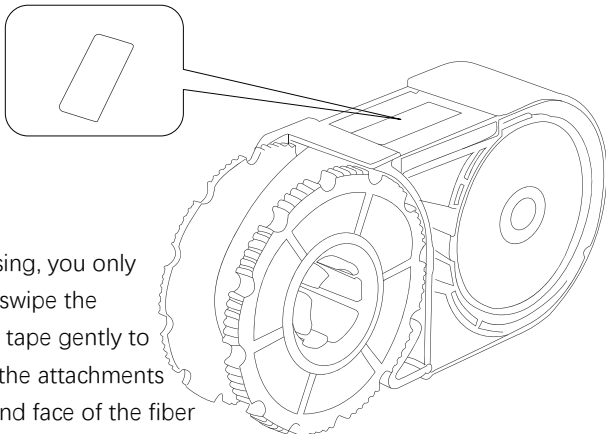
Optical fiber cleaner instruction

1 External function description



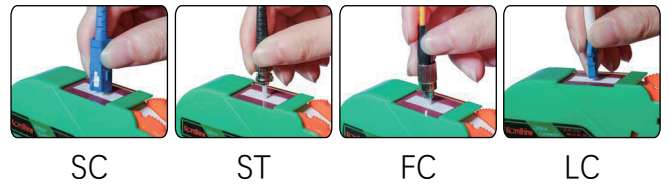
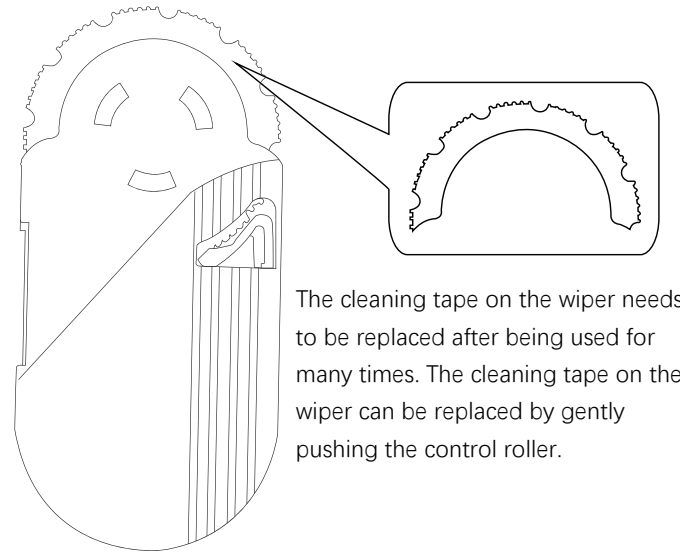
- ① Wipe board ② Reel ③ Snap
- ④ Transparent shell ⑤ Control wheel

2 Cleaning belt

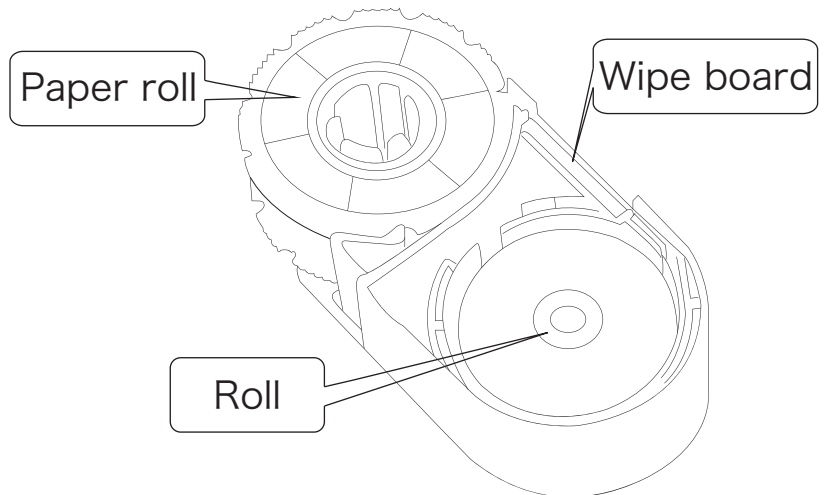


When using, you only need to swipe the cleaning tape gently to remove the attachments on the end face of the fiber connector ferrule.

3 Control wheel



4 Replace the cleaning core



1. Open the transparent shell of the reel with a flat-head screwdriver or other hard objects, and remove the reel and paper roll (press the buckle and push to the center to take out the reel).
2. Remove the cleaning tape from the reel and the paper roll, load the new cleaning tape on the reel, and connect one end of the cleaning tape to the reel through the wiper and fix it with tape.
4. Place the reel and paper roll loaded with the new cleaning tape in the corresponding position. Close the transparent cover again.

Optical fiber cleaner instruction

5 Product description

The optical fiber cleaner is an important and indispensable accessory for maintaining and ensuring the quality of the optical fiber connection. It can be used to clean the end faces of the optical fiber connector of various adapters simply and quickly. It is a non-alcohol cleaning method. The fiber cleaner is a suitable for cleaning the end face of the fiber connector ferrule. It is easy to use, can replace the cleaning tape, and provides low-cost cleaning. Applicable connector models are: SC, FC, MU, LC, ST, D4, DIN, etc.

6 Product features

- Use non-alcohol special ultra-fine fiber.
- The cleaning effect is fast and effective.
- Hand-controlled operation, lightweight design, replaceable belt Cleaning the end face of the fiber connector ferrule.
- The cleaning belt is made of high-density textile fibers.
- Suitable for FC/SC/LC/ST/MU/D4/DIN.
- Portable, drop-proof, suitable for different environments.
- Up to 500 cleaning times.

7 Products specification

Dimension	115*55*28mm
Material	Special microfiber + high-grade plastic
Scope of application	FC/SC/LC/MU/D4/DIN and other fiber optic connectors
Cleaning ability	500+ times

➤ Use environment

- Operating environment altitude: areas below 2000m above sea level.

8 Tips

- ⚠ Please read all instructions and warnings before using this product. Irregular use will cause damage to the product or personal safety.

- 1) Please read carefully and correctly understand the warning and operation instructions in the user manual before using the VFL;
- 2) Please use the VFL in strict accordance with the user manual;
- 3) Laser is harmful, especially pay attention to protect eyes. When laser working, it is strictly forbidden to look directly of the VFL;
- 4) The laser is a heating device. Generally, the higher the temperature, the shorter life of laser, try to avoid high temperature environment when using, and it is not recommended to use for a long time continuously;
- 5) After use, please cover the dust cap to prevent dust from falling in;
- 6) When not in use for a long time, the lithium battery may self-discharge. When the voltage is too low, it cannot be turned on. Please charge it before using it.
- 7) After using for a period of time, please clean the interface with a special optical fiber cleaning cotton swab;

➤ Standard configuration

- Packaging carton, main cleaner, certificate